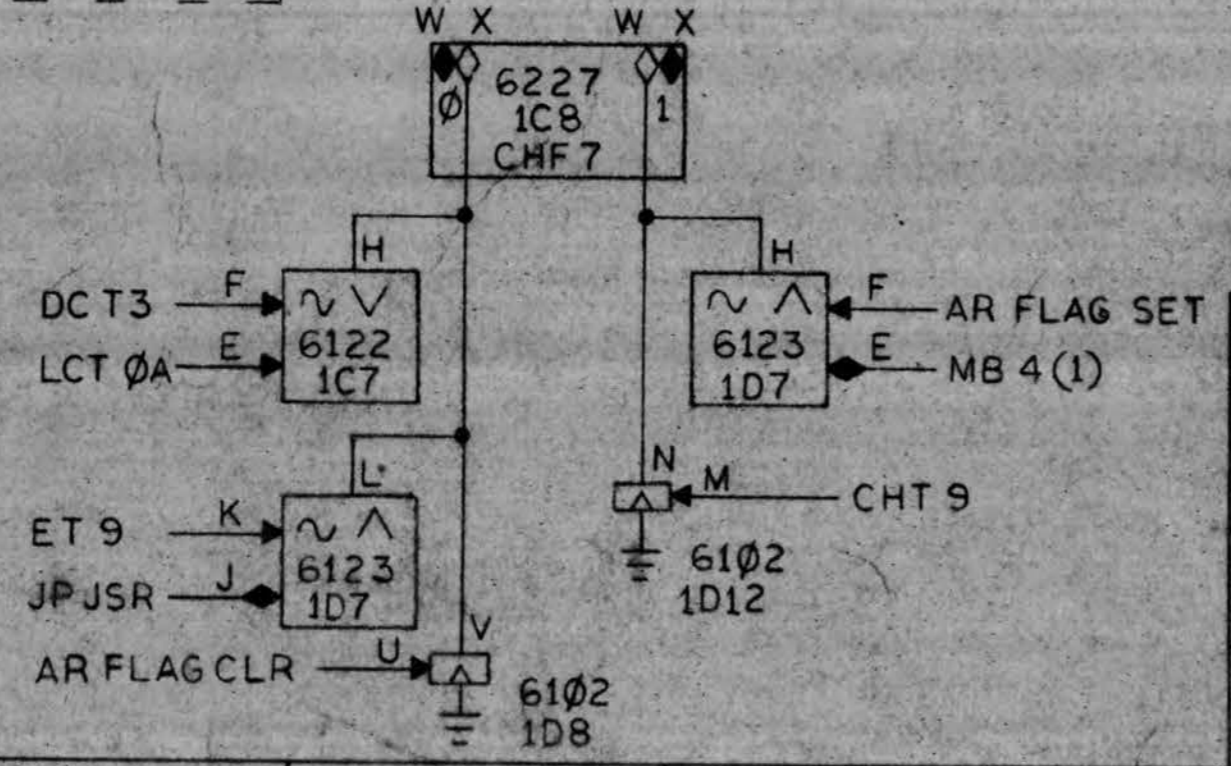


ALL CHARACTER OPS, FIRST PART (§ 6.6b)

FLOATING SCALE (§ 6.7b)

ISSUED MAR 21 1966

AP FIGURE 6-19 (§ 6.6b, 6.7b)



REVISIONS		DRAWN		DATE		TITLE	
CHANGE	DATE	DATE	DATE	DATE	DATE	DATE	DATE
A-25	10/26/64	9-27-63	3-20-64	3-20-64	3-20-64	3-20-64	3-20-64
B-73	10/26/64						
C-102	11-5						
D-193	9-28-65						
E-275	5-14-66						

DRAWN E. J. ... CHECKED B. ... ENG R. ... PROJ. ENG R. ... PROD R. ...	DATE 9-27-63 DATE 3-20-64 DATE 3-20-64 DATE 3-20-64 DATE 3-20-64	ASSY NO CODE BS	TITLE CH, FS-CHARACTER OPS FIRST PART AND FLOATING SCALE FOR ARITH. PROC. 166; PDP-6 DRWG NO D-166-0-CHFS REV LTR E
---	---	-----------------------	--