

MEMOREX

651 Flexible Disc File OEM Manual

651.60-05

Publication Number 651.60-05

Part Number 804176

July 1977 edition

The information in this publication is subject to periodic revisions and to updates by Publications Bulletins. A bulletin is identified as Publication Number 651.60-04XX, where "XX" equals "01" for the first bulletin released.

To request copies of this publication or any bulletin, send a Supplies Requisition (form number 7020) using the publication number to: Memorex Corporation, Marketing Distribution Center, San Tomas at Central Expressway, Santa Clara, California 95052.

A readers' comments form is provided at the back of this publication. If the form has been removed, please send comments to Memorex Corporation, Department 6940, M/S 14-07, San Tomas at Central Expressway, Santa Clara, California 95052.

This publication supersedes Publication Number 294.020-03 and Publication Bulletin Number 2944.020-0301.

Copyright ©1973, 1974, 1977 MEMOREX CORPORATION

TABLE OF CONTENTS

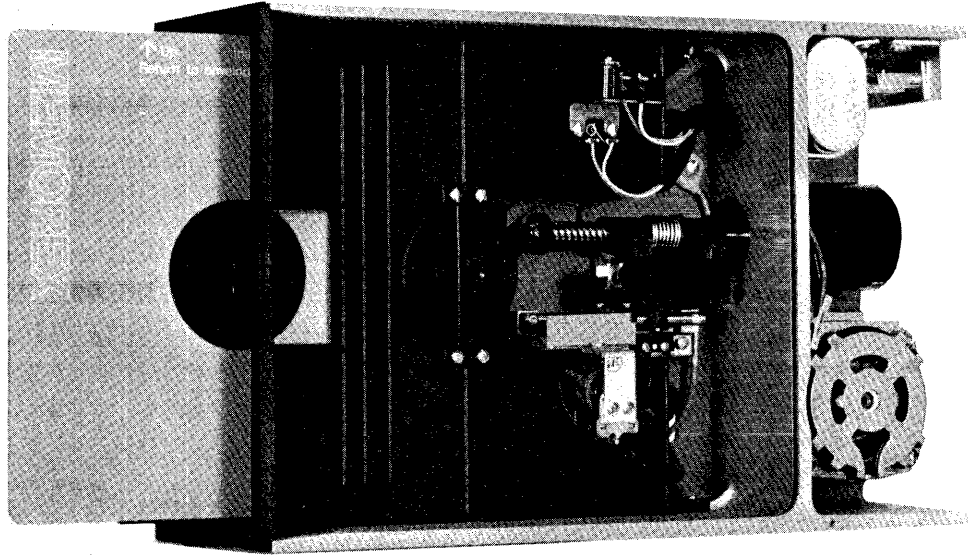
Section	Page
INTRODUCTION	1
GENERAL DESCRIPTION	1
DESIGN FEATURES	3
OPTIONS	3
SPECIFICATIONS SUMMARY	4
FUNCTIONAL CHARACTERISTICS	5
GENERAL OPERATION	5
LOGIC AND ANALOG FUNCTIONAL DESCRIPTIONS	8
Control Logic	8
Write and Safety Logic	9
Read Logic	10
TIMING SEQUENCES	11
Initial Mode of Operation	11
Track Access Mode of Operation	12
Write or Read Mode of Operation	12
DATA FORMAT	14
INSTALLATION	17
ENVIRONMENT	17
UL RECOGNITION	17
CONNECTORS AND CABLES	18
MOUNTING DIMENSIONS	19
WEIGHT	19
OPTIONAL MOUNTING DIMENSIONS (CHASSIS SLIDES)	19
INTERFACE DESCRIPTION	23
GENERAL	23
CONTROL	23
Input	25
Output	26
DATA	26
POWER	27
INTERFACE CIRCUITRY	28
Control Interface Circuitry	28
Data Interface Circuitry	29
OPERATING PROCEDURES	31
CARTRIDGE LOADING AND HANDLING	31
ERROR DETECTION AND CORRECTION	32
Write Error	32
Read Error	32

LIST OF ILLUSTRATIONS

Figure		Page
1	WRITE PROTECT TAB INSERTION	2
2	651 FUNCTIONAL DIAGRAM	6
3	HEAD LOAD MECHANICAL ASSEMBLY	7
4	DISC CARTRIDGE AND DISC CONFIGURATION	7
5	INITIAL SEQUENCE	11
6	TYPICAL WRITE SEQUENCE	13
7	WRITE DATA TIMING FUNCTION	13
8	SEPARATED CLOCK AND DATA	14
9	SECTOR RECORDING FORMAT	15
10	INDEX RECORDING FORMAT	15
11	SIGNAL CONNECTOR KEYING	19
12	FLEXIBLE DISC MOUNTING DIMENSIONS	20
13	FLEXIBLE DISC MOUNTING DIMENSIONS (CHASSIS SLIDES)	21
14	651 INTERFACE WIRING DIAGRAM	24
15	CONTROL LINE DRIVER AND LINE RECEIVER	28
16	WRITE DATA SIGNAL AND DRIVER	29
17	SEPARATED (SEP) DATA AND CLOCK SIGNALS AND RECEIVERS ..	30
18	CARTRIDGE LOADING	31

LIST OF TABLES

Table		Page
1	SPECIFICATIONS SUMMARY	4
2	MAXIMUM CAPACITIES VS. RECORDS/TRACK	16
3	TEMPERATURE-HUMIDITY RANGES FOR FILE AND DISC CARTRIDGE	17
4	CONNECTORS SUPPLIED BY USER	18
5	INPUT CONTROL SIGNALS	25
6	OUTPUT CONTROL SIGNALS	26
7	DATA SIGNAL INTERFACE	26
8	POWER PARTITIONING	27



INTRODUCTION

GENERAL DESCRIPTION

The Memorex 651 Flexible Disc File is a compact, direct access, removable disc unit intended to simplify the distribution, processing and storage of digital information.

The 651 is designed for applications that demand data handling simplicity and convenience, plus a high degree of operational reliability. Typical applications for the 651 are control store loading, auxiliary storage, data logging, key-entry recording, programmable calculator storage, point-of-sale recording and accounting machine storage.

The 651 is composed of a drive mechanism, read/write head, head actuator and associated electronics. Connections are made to the host system by signal and power cables with addressing, function requests, data formatting and power supplied by the user.

The 651 can write and read discs interchangeably from unit to unit.

The Flexible Disc Cartridge used in the 651 is a flat disc composed of a Mylar® substrate coated with a gray magnetic iron oxide material. For protection during handling, operation, storage, and mailing, the coated disc is encased in a flexible envelope, 20.3 centimetres (8 inches) square, which is sealed around the edges of the disc and lined with a self-cleaning wiper. An oval slot in the envelope permits the read/write head to access the disc for recording.

Writing on the disc can be inhibited by sliding a fitted 25.4 millimetre by 19 millimetre (one inch by three-fourths inch) adhesive-backed write protect tab into the keying notch of the vinyl envelope containing the disc (Figure 1). When this removable plastic tab is in position and the disc is inserted in the 651, the raised portion of the tab pushes the actuator which closes the write protect switch. Once the switch is off (closed), the 651 cannot write. The full read/write operation can be restored by physically removing the write protect tab from the disc.

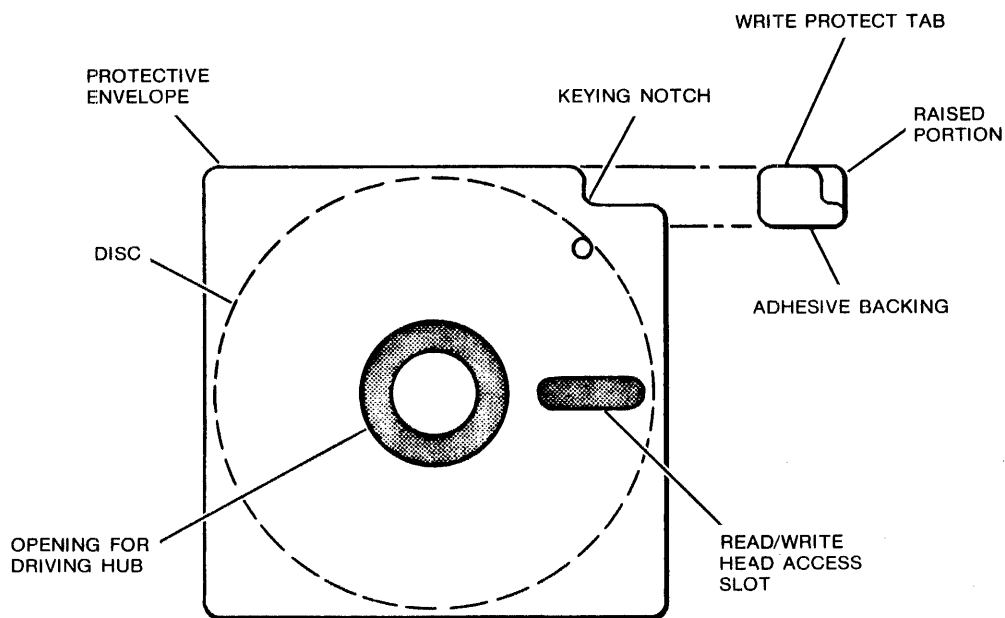


FIGURE 1. WRITE PROTECT TAB INSERTION

DESIGN FEATURES

The 651 includes the following operational features:

Digital Applications Oriented	Designed specifically for digital data processing applications. Its unique design makes it an attractive alternative to tape cassettes, tape cartridges, paper tape, or card readers.
High Performance Parameters	The 2.5 megabit capacity, 250 kilobits-per-second transfer rate, and random access capability makes it an ideal device for applications requiring low-cost, on-line data storage.
Read/Write Capability	Designed to be used as a file in applications requiring recording and retrieving of data on a disc interchangeable basis.
Compact	It is small and compact, allowing the designer more freedom for integration into a system.
Interlocks	Contains interlocks which prevent damage to a disc during loading or unloading.
Write Protect	Logic is provided to disable the write circuits should the user wish to protect data recorded on the disc.
Reliability	Designed for trouble-free operation with exceptionally reliable data handling capabilities. 1×10 ⁹ bits read/soft error 1×10 ¹² bits read/hard error

OPTIONS

The following options can be provided with the 651:

Power	Available for 230 VAC 50/60 Hz applications. (115 VAC 50/60 Hz is standard.)
Chassis Slides	Available with chassis slides where there are space limitations and easier accessibility is desired for servicing.
Twisted Pair Interface Harness	Transmits read, write, and clock signals via twisted pair lines instead of coaxial lines.

SPECIFICATIONS SUMMARY

Table 1 contains a summary of 651 specifications.

TABLE 1. SPECIFICATIONS SUMMARY

DATA RETRIEVAL TIMES	
Rotational Speed	375 rpm
Access Time	10 ms track to track 10 ms settle @ addressed track
Data Transfer Rate	250 kilobits/sec
DISC CHARACTERISTICS	
Records/Track (max)	32
Number of Tracks	64
Records/Disc (max)	2048
Recording Density	122.05 bits per mm (3100 bits per inch) inside trk
Record Length Sectorized (32 per track)	1056 bits
Record Length Indexed (1 per track)	38.5 kilobits
Disc Capacity Sectorized	2.2 megabits
Disc Capacity Indexed	2.5 megabits
DATA RECORDING FORMAT	
Recording Mode	Frequency modulation
Sectors per Track	32
Index per Track	1

FUNCTIONAL CHARACTERISTICS

GENERAL OPERATION

The 651 consists of control and read/write electronics, disc drive motor, read/write head, head actuator, track access mechanism, and removable disc. The primary functions performed by the 651 are:

- Receive and generate control signals
- Access the appropriate track
- Write or read data upon command

The internal functions of the 651 and the required interface signals to and from the using system are shown in Figure 2. The Read, Write, Safety and Control Logic are the interface electronics between the user system and the 651. The Track Positioning Actuator positions the read/write head to the desired track on the disc. The Head Load Actuator loads the disc against the read/write head and data may then be recorded or read from the disc. Each of the logic blocks and signal names shown are later discussed under Logic and Analog Functional Descriptions.

The electronics are packaged on one PCB. The PCB contains:

1. Sector/Index Detector Circuits
2. Track Position Actuator Driver
3. Head Load Actuator Driver
4. Read/Write Amplifier and Transition Detector
5. Data/Clock Separation Circuits
6. Safety Sensing Circuits

An electrical stepping motor (Track Position Actuator) and lead screw positions the read/write head. The stepping motor rotates the lead screw clockwise or counterclockwise in 15° increments. A 15° rotation of the lead screw moves the read/write head one track position. The using system increments the stepping motor to the desired track. Track verification is accomplished by checking track addresses.

The disc drive motor rotates the spindle at 375 rpm through a belt-drive system. 50 or 60 Hz power is accommodated by means of a stepped pulley. A registration hub, centered on the face of the spindle, positions the disc. A clamp (that moves in conjunction with the insertion door) fixes the disc to the registration hub.

The read/write head is in direct contact with the disc. The head surface has been designed to obtain maximum signal transfer to and from the magnetic surface of the disc with minimum head/disc wear. The write portion of the head is wider than the read portion. When reading with a narrow head, a normal deviation from the center of the track does not affect the signal-to-noise ratio, and permits disc interchangeability from unit to unit.

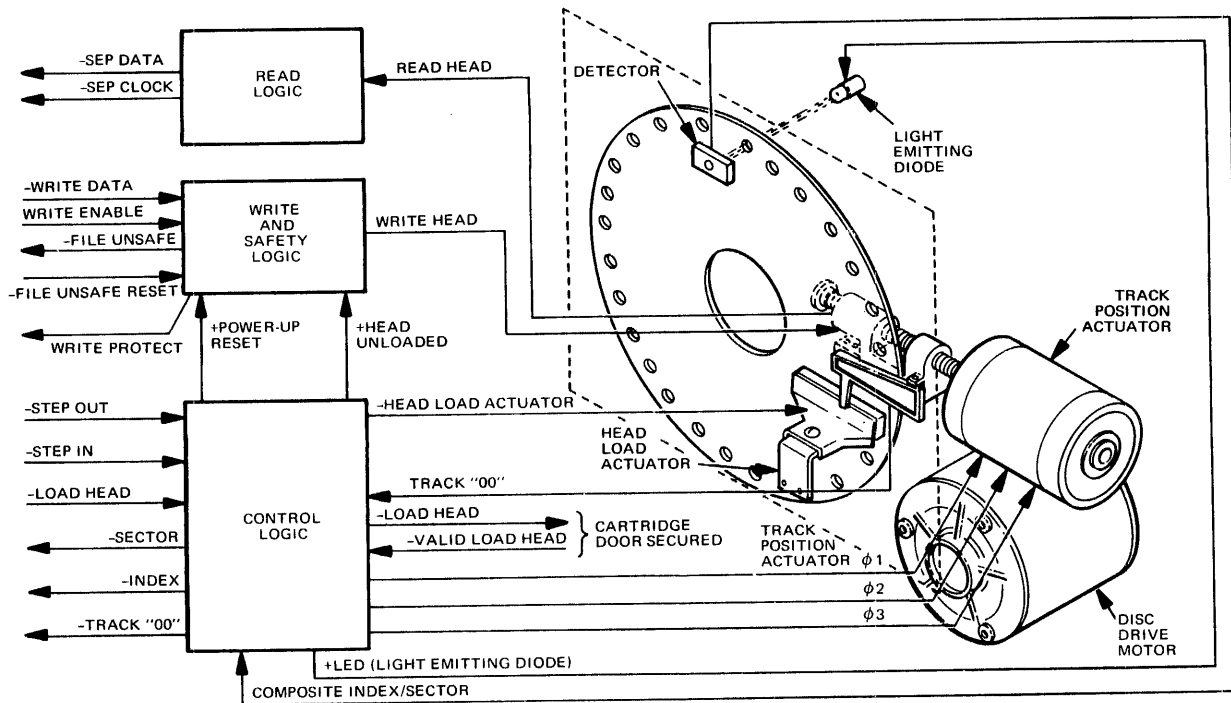


FIGURE 2. 651 FUNCTIONAL DIAGRAM

The read/write head is mounted on a carriage that is moved by the lead screw. As shown in Figure 3, head load is achieved when the disc is lightly loaded against the rigidly mounted head by moving a load pad against the disc with a solenoid actuated bail. Head to disc compliance is achieved by restraining the disc between the head and the load pad.

The disc is vertically mounted in the 651. It rotates at 375 rpm in a plastic envelope, which protects and cleans the recording surface during operation. The disc, 19 centimetres (7.5 inches) in diameter, has 32 holes spaced around the periphery for sector definition. There is also one additional hole for indexing. Figure 4 shows the disc cartridge and disc configuration.

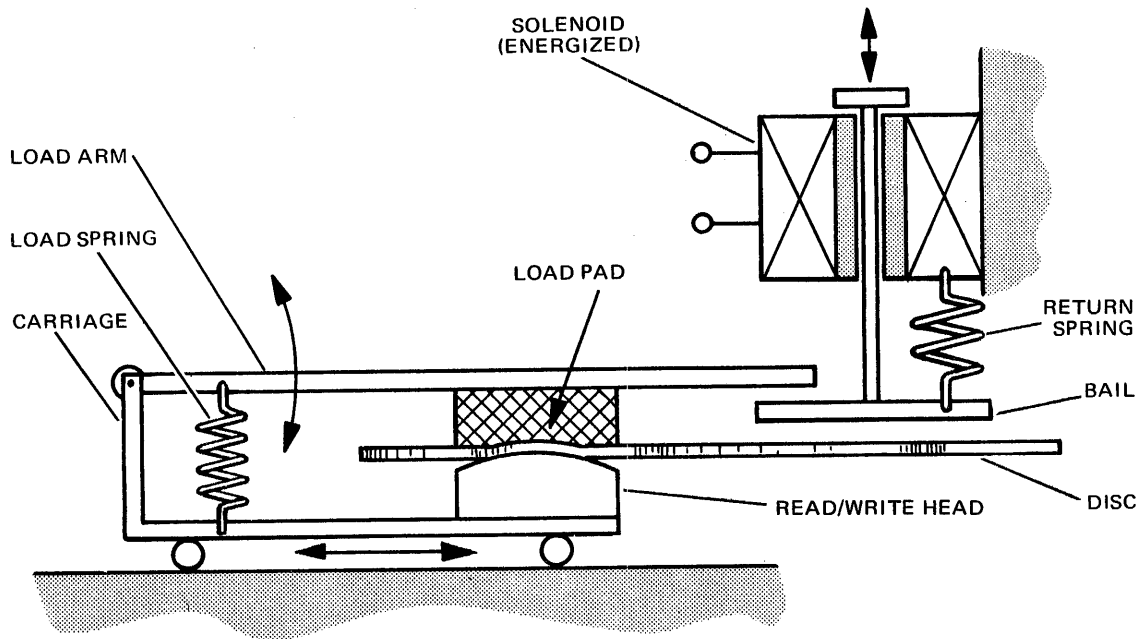


FIGURE 3. HEAD LOAD MECHANICAL ASSEMBLY

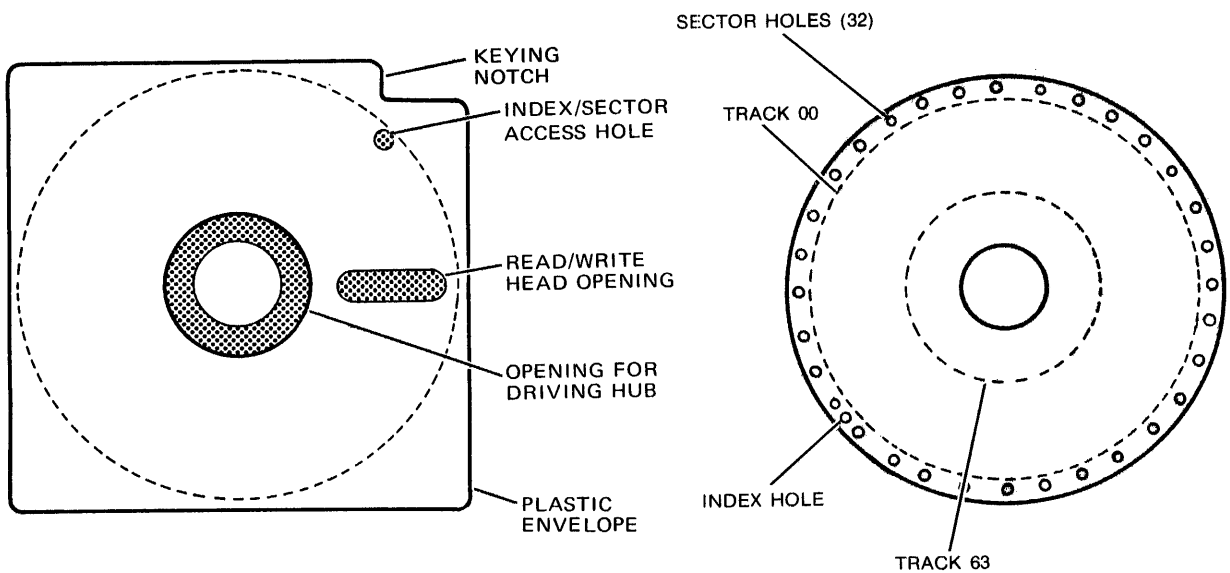


FIGURE 4. DISC CARTRIDGE AND DISC CONFIGURATION

LOGIC AND ANALOG FUNCTIONAL DESCRIPTIONS

This section discusses each logic block and signal name shown in Figure 2. The descriptions are divided into each of three logic blocks: Control, Write and Safety, and Read. All input interface functions are generated by the user. All output interface functions are generated by the 651.

Control Logic

The basic functions of the Control Logic are to place the read/write head on the proper track, hold the disc against the head for write or read operations, and indicate disc rotational position. User interface functions are as follows:

STEP OUT	Increments the Track Position Actuator. Each pulse moves the head one track outward from the center of the disc.
STEP IN	Increments the Track Position Actuator. Each pulse moves the head one track inward toward the center of the disc.
LOAD HEAD	Loads or unloads the disc from the read/write head.
SECTOR and INDEX	Provides disc sector and index position information. Each signal is a separate output. These pulses are generated from equally spaced holes located around the periphery of the disc (Figure 4) and are used for the formatting and orientation of data on the disc.
TRACK 00	Indicates when the read/write head is located at Track 00.

Transducer signals between the 651 Control Logic and electromechanical assemblies are as follows:

POWER-UP RESET	Resets the internal logic to the proper state when power is turned on.
HEAD UNLOADED	Logic signal to the Write and Safety Logic to insure that the disc is loaded against the read/write head before write operations begin.
HEAD LOAD ACTUATOR	Energizes the solenoid shown in Figure 3. It is a function of LOAD HEAD (user supplied).
TRACK 00	Switch closure plus proper stepping motor phase energized indicating that the read/write head is located at Track 00.

LOAD HEAD VALID LOAD HEAD	Switch closure interlock indicating that the cartridge door is secured. If this condition is not satisfied, the read/write head cannot be loaded.
TRACK POSITION ACTUATOR	Driving function to increment the Track Position Actuator motor clockwise or counterclockwise. It is a function of STEP OUT or STEP IN.
LED	Provides power to the Light Emitting Diode (LED).
COMPOSITE INDEX/SECTOR	Detector signal input to the Control Logic. As shown in Figure 4, 32 holes that are 2.54 millimetres (0.10 inches) in diameter divide the disc into equal sectors. The 33rd hole (same diameter) spaced midway between two sector holes indicates one disc revolution. The LED and Detector (photo transistor) are placed on opposite sides of the disc (Figure 2). As the disc revolves, the holes pass between the LED and Detector illuminating the Detector and turning it on. The Detector output is shaped by a threshold detector and an output pulse is obtained. Output is normally at +5 Volts with a transition to 0 Volts for the pulse. Internally within the Control Logic, the INDEX and SECTOR signals are separated and are transmitted via separate interface lines to the user.

Write and Safety Logic

The basic function of the Write and Safety Logic is to convert digital data received from the user into analog form for recording on the disc, and to insure that the file is in proper condition before recording begins. User interface functions are as follows:

WRITE DATA	A user-generated composite signal consisting of alternating data and clock.
WRITE ENABLE	A gating function activated during the write operation. This signal is used to control the recording of data on the proper track and sector.
WRITE PROTECT	A detector senses when a cartridge is write protected and inhibits WRITE ENABLE thereby preventing the file from writing. A WRITE PROTECT status is also sent to the host system.

FILE UNSAFE Any one of the underlisted electronic conditions within the 651 can produce the signal and disable the write driver circuits:

1. Write enable and no write current.
2. Write current and no write enable.
3. Write enable and head not loaded.
4. Write enable and no write data (after 15 microseconds).

FILE UNSAFE RESET Resets a latch in the Write and Safety Logic block when conditions have been corrected which produced the FILE UNSAFE signal. Initially, when power comes on, the latch is reset automatically within the 651. Manual intervention is recommended for this function.

Transducer signal communication between the 651 Write Logic and the write head is as follows:

WRITE HEAD Supplies current to the write head. The direction of this current reverses each time a WRITE DATA pulse is received.

Read Logic

The basic function of the Read Logic is to receive pulses from the disc and convert this composite signal into separate clock and data pulses. Data and clock come from the Read Logic block when the disc is loaded onto the head.

Transducer signal communication between the 651 Read Logic and the read head is as follows:

READ HEAD An analog representation of the recorded information described previously for WRITE DATA and WRITE HEAD. This signal is amplified, differentiated, limited, and then shaped. The shaped data is input to a data separator circuit which separates the data bits from the clock bits.

User interface functions are as follows:

SEP DATA Digital data bits read from the disc.

SEP CLOCK Digital clock bits read from the disc.

TIMING SEQUENCES

The 651 timing sequences are divided into the following three modes of operation: Initial, Track Access, and Write or Read. The Initial mode is used when the power is turned on. During normal operation, the desired track is located with Track Access, and either Write or Read is performed. Unless otherwise noted, all signals shown on the timing sequences are to or from the using system.

Initial Mode of Operation

The initial timing is shown in Figure 5.

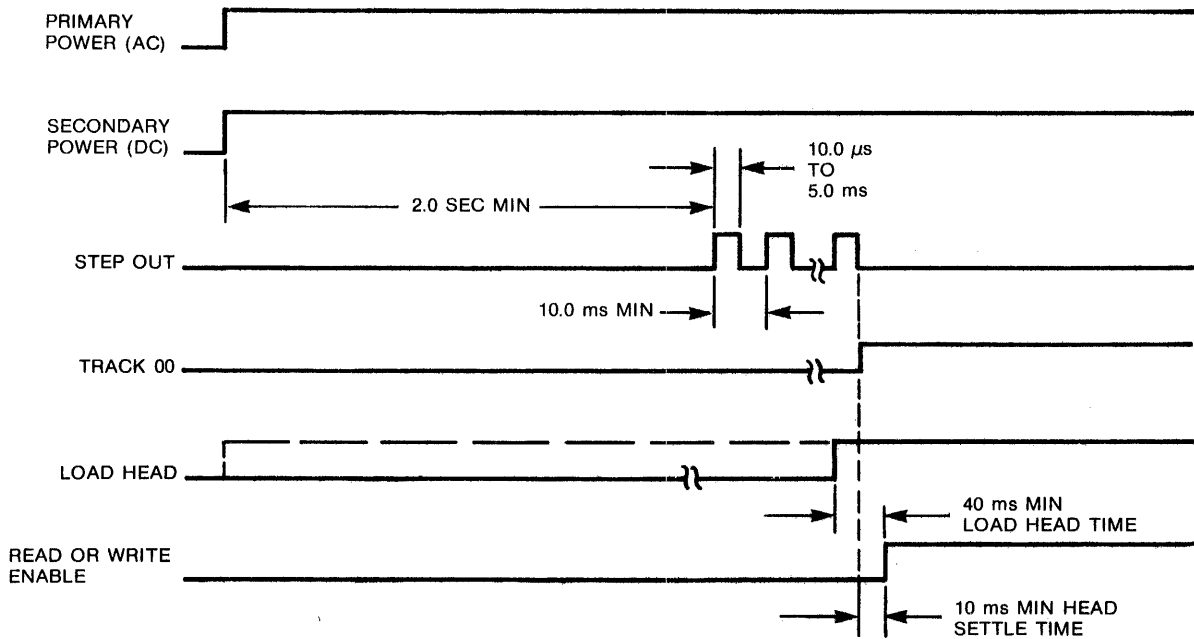


FIGURE 5. INITIAL SEQUENCE

The user applies PRIMARY and SECONDARY POWER to the 651. After a two-second delay (user provided) from power on, STEP OUT is applied until the read/write head is positioned at Track 00. This operation is performed to insure that the head is properly oriented before a read or write operation begins. When the head is positioned at Track 00, the TRACK 00 signal becomes true. It changes to false when the head leaves that track.

Memorex recommends that the user have some type of add/subtract track counter available. This counter would be reset to zero at Track 00. During normal write or read operations, the read/write head could be moved from track to track at random, and the track counter would always indicate the proper track location.

The LOAD HEAD signal can be applied any time after the power to the drive has been turned on. While the LOAD HEAD line is false, the disc is unloaded from the read/write head. The LOAD HEAD signal must be true for a minimum of 40 milliseconds before a write or read operation can begin. Although the LOAD HEAD signal can be applied any time after power on, it should only be activated just prior to and during a write or read function; this is to minimize disc wear. If a write or read command is not being executed within four revolutions of the disc, the head should be unloaded.

Track Access Mode of Operation

The STEP OUT and STEP IN functions are used for positioning the read/write head to the desired track. The only restriction placed on these signals is that each pulse must be spaced by at least 10 milliseconds, and after the last step, 10 milliseconds head/carriage settle time must be allowed before any read or write operation commences. The STEP IN pulse width is the same as the pulse width for STEP OUT shown in Figure 5.

Write or Read Mode of Operation

The write and read timing sequences are basically the same. They are discussed separately for clarity. As stated previously, the read/write head must be loaded with LOAD HEAD before a write or read operation can begin.

Write. Figure 6 shows a typical write timing sequence.

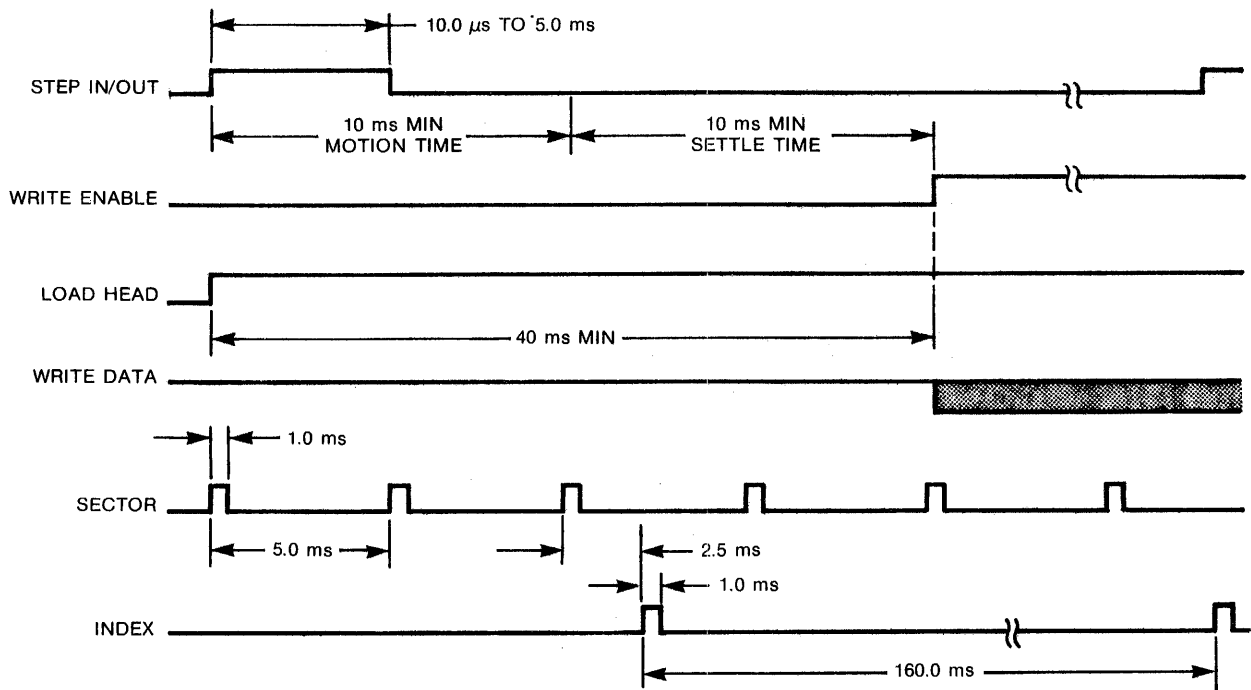


FIGURE 6. TYPICAL WRITE SEQUENCE

Assuming the LOAD HEAD signal is true, the WRITE ENABLE can be made true 20 milliseconds after the leading edge of the last desired STEP IN or STEP OUT pulse has occurred. WRITE DATA must begin when WRITE ENABLE goes true. Even though SECTOR and INDEX are asynchronous relating to the track access and head load mechanisms, they are shown here to suggest that the user should synchronize these functions with WRITE ENABLE to achieve maximum data storage on the disc.

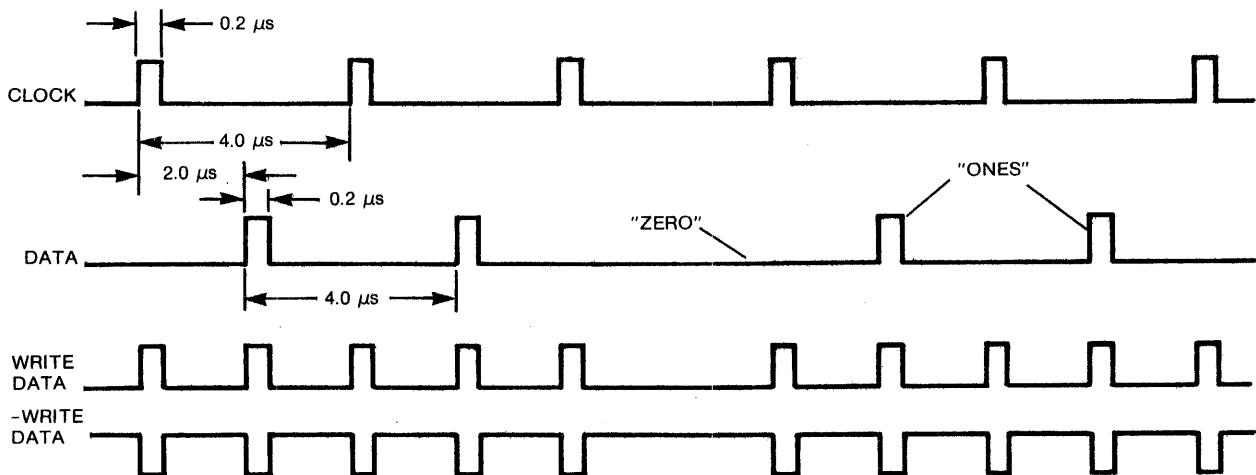


FIGURE 7. WRITE DATA TIMING FUNCTION

The using system must generate separate CLOCK and DATA. These functions are combined into the composite WRITE DATA input to the 651. CLOCK and DATA should have logic gates to control their respective functions for proper formatting on the disc.

Read. For read operations, the output functions SEP DATA and SEP CLOCK can be substituted for WRITE DATA in Figure 6. Even though data is read out immediately after the disc is loaded on the read/write head, reading should not start until the STEP IN or STEP OUT accessing has been completed. The user should accomplish this gating with a Read Enable function which would be used the same as for WRITE ENABLE. As suggested previously for Write, the user should use the SECTOR or INDEX pulses for gating output data from the 651. One of these functions would be connected to Read Enable (user provided) for proper synchronization.

Figure 8 is a representation of the SEPARATED CLOCK and SEPARATED DATA pulses as they are provided to the using system.

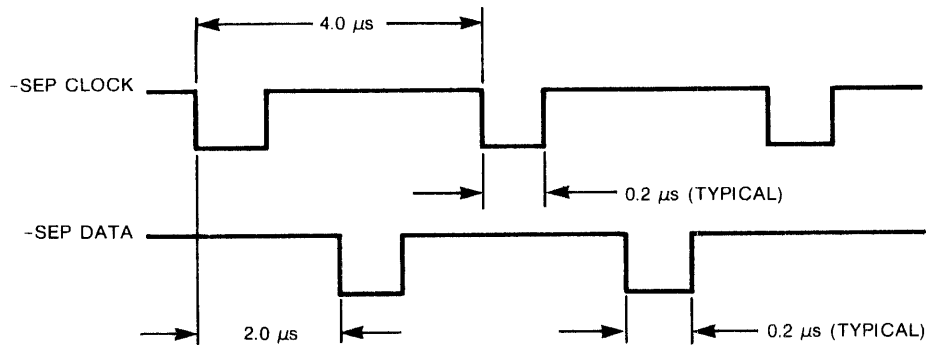


FIGURE 8. SEPARATED CLOCK AND DATA

DATA FORMAT

The user should optimize the data format to achieve maximum data storage and accessibility. The following paragraphs give two examples of data formatting.

Data can be organized in multiple records/track (sector) format or a single record/track (index) format. At the beginning of each record, 128 clock bits are required for tolerances and synchronization of the internal data separator. Following the clock bits, a "data identifier" byte (specified by the user) is required to recognize the start of data. For ease of searching and record verification, each data identifier block may be followed by address byte(s) consisting of track and sector identification. In applications where data integrity is critical, the address byte(s) should be read to verify track and sector location before attempting a write operation. A read back check is recommended after the write operation.

Using sector format, the data is recorded with 32 records per track. This format is shown in Figure 9.

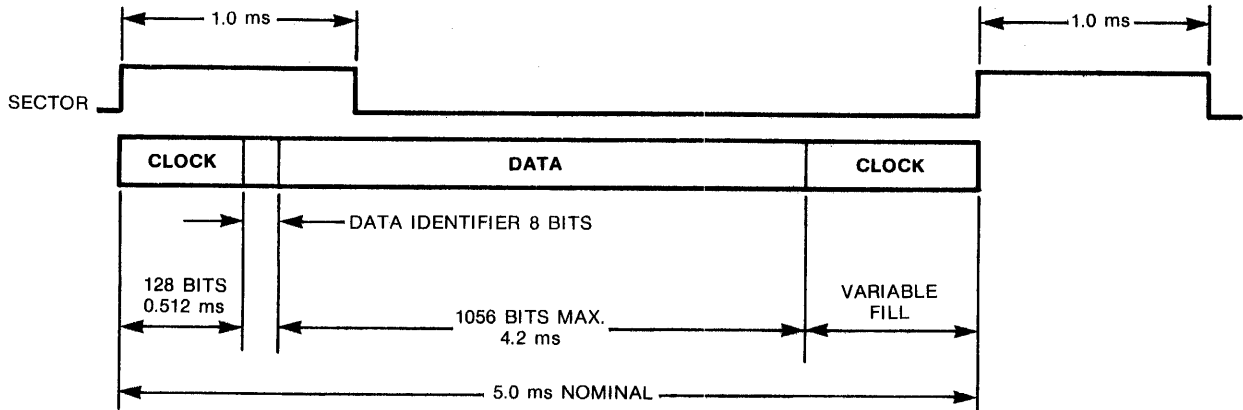


FIGURE 9. SECTOR RECORDING FORMAT

To generate this format, the user should gate WRITE DATA with the beginning of the SECTOR pulse. First, 128 clock bits are generated followed by the data identifier (8 bits recommended). Next, a data area of 1056 bits maximum may be used and the balance of the sector time filled with clock pulses.

Figure 10 shows the index format. Data is recorded with one record per track.

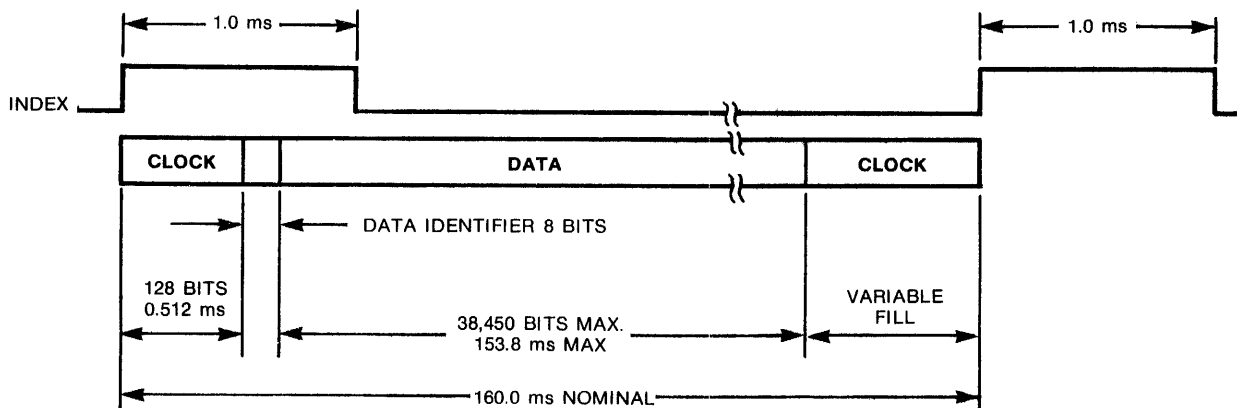


FIGURE 10. INDEX RECORDING FORMAT

To generate the index format, the user would use the same procedure as discussed earlier (Figure 8) for sector recording. The length of the data record is the only difference between index and sector format.

The 651 may be formatted to use multiple sector pulses per record, if the user provides logic to select the desired sector pulse indicating the start of a record.

Table 2 lists the maximum record lengths as a function of the number of records per track. It also lists the minimum amount of fill required and the resultant total disc capacity. Each record must be preceded by 128 clock bits and an 8 bit data identifier.

For other record lengths the maximum allowable record capacities may be calculated by the following formula, where 'N' is the number of records per track:

$$\text{Max. Record Length (Bits)} = \left(\frac{40,000}{N} \right) - \left(\frac{1400}{N} \right) - (150)$$

TABLE 2. MAXIMUM CAPACITIES VS. RECORDS/TRACK

Records/Track	Bits/Record	Bits/Disc	Bits/Fill
1	38,450	2,460,800	1414
2	19,150	2,451,200	714
4	9,500	2,432,000	364
8	4,675	2,393,600	189
16	2,262	2,316,288	102
32	1,056	2,162,688	58

INSTALLATION

ENVIRONMENT

The file is designed to operate within the temperature and humidity ranges specified in Table 3.

TABLE 3. TEMPERATURE-HUMIDITY RANGES FOR FILE AND DISC CARTRIDGE

	OPERATING	NON-OPERATING
Temperature	16° C to 38° C (60° F to 100° F)	-40° C to 60° C (-40° F to 140° F)
Relative Humidity	20% to 80%	90% max
Wet Bulb Temperature (max)	26° C (78° F)	
Heat Dissipation (max)	0.10 kW (346 BTU/hr)	

To ensure interchangeability, discs should be stored in a location that is within 2.7° C ($\pm 5^{\circ}$ F) of the using system temperature. Discs stored outside the recommended ranges must be placed in the using system environment at least 20 minutes prior to use. Also, exposure of the disc to magnetic fields greater than 397.85 A/m (50 oersteds) can cause loss of data.

Performance of the 651 can be seriously degraded by improper environment. Dust and other airborne contaminants are a major threat to the operating life of the recording components and the actuator. The file utilizes a vertical disc drive arrangement to minimize particle settling at the head/disc area. Environmental protection similar to that used for magnetic tape and removable disc pack installations should be observed.

UL RECOGNITION

The 651 is a UL Recognized Component. Recognition by UL means that a user must comply with the conditions of acceptability for any application within another piece of equipment if that second piece of equipment seeks UL recognition.

The conditions of acceptability are as follows:

1. All tests should be conducted in the end application.
2. Adequate strain-relief or sufficient lead length must be provided in the rack mounted version to avoid stressing the input connections.
3. The units will be mounted vertically with reference to the plane of the flexible disc surface. Evaluation of any openings located below the unit should be made.
4. In the final application, the unit must be connected to a circuit that provides over current (over-load) protection not exceeding 20 amps.

CONNECTORS AND CABLES

All internal cables are factory installed prior to shipment. Recommended connectors and cable lengths which must be supplied by the user are shown in Table 4. The male sides of required interface connectors are mounted to the 651 frame.

TABLE 4. CONNECTORS SUPPLIED BY USER

Part	Part Number		Notes	Purpose	Recom. Cable Length	
	Memorex	Manufacturer				
Block, 42-position	158570	AMP 202516-1				
Socket, 20-22 AWG	150246	AMP 66331-6	Single Signal wire	Input DC		
Socket, 16-18 AWG	150290	AMP 66100-6	+24 V or multiple	Power, Control signals, and data signals	4.6 metres (15 feet) including harness wiring in using system, coax should be 93 ohms for 3 data lines.	
Coax, socket	158572	AMP 1-201146-2				
Jackscrew, short	150725	AMP 201388-2	Outside thread			
Jackscrew, short	150540	AMP 201389-2	Inside thread			
Jackscrew, long	150724	AMP 200871-1	Outside thread			
Jackscrew, long	150546	AMP 200867-1	Inside thread			
Hood, short	—	AMP 201182-2				
Hood, long	—	AMP 201847-1				
Connector Housing	150265	AMP 1-480303-0		AC Power		Restricted only by approved wiring codes and Underwriter Laboratories
Socket	150203	AMP 61117-1	Center socket is ground			

Keying of the signal connector is accomplished by the jackscrew arrangement shown in Figure 11.

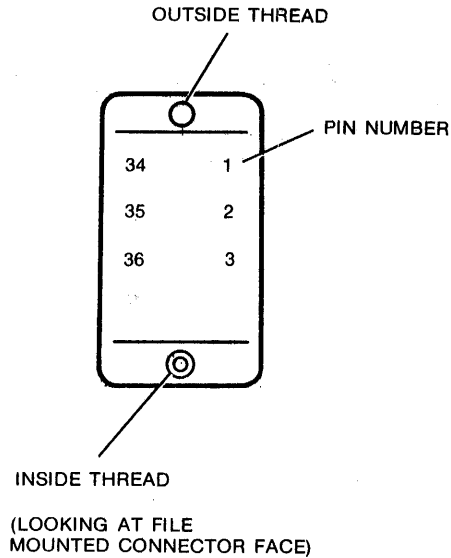


FIGURE 11. SIGNAL CONNECTOR KEYING

MOUNTING DIMENSIONS

The mounting dimensions for the 651 are shown in Figure 12.

WEIGHT

The weight of the 651 without accessories is approximately 7.7 kilograms (17 pounds).

OPTIONAL MOUNTING DIMENSIONS (CHASSIS SLIDES)

The mounting dimensions for the 651 with optional chassis slides are shown in Figure 13.

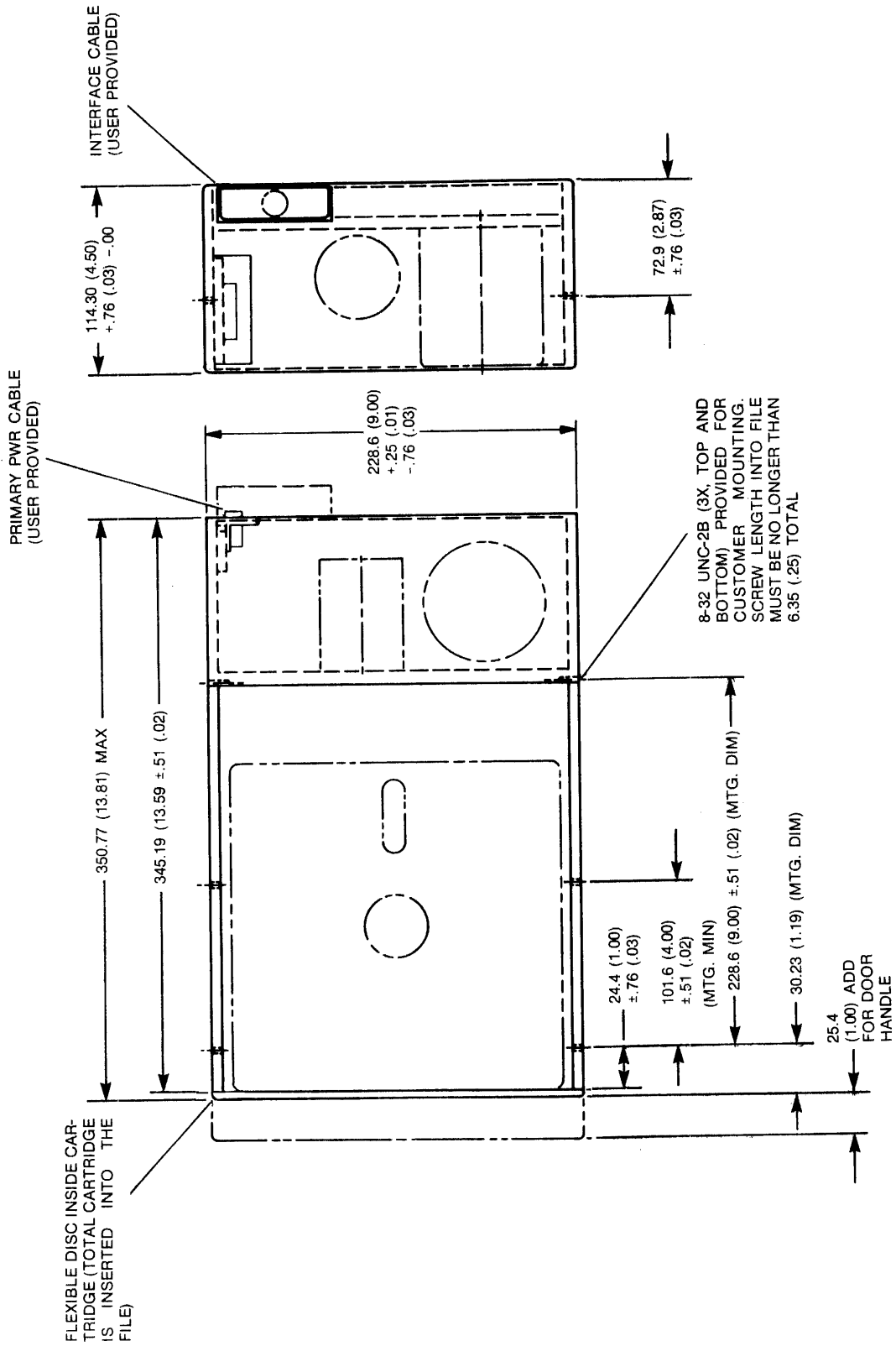


FIGURE 12. FLEXIBLE DISC MOUNTING DIMENSIONS

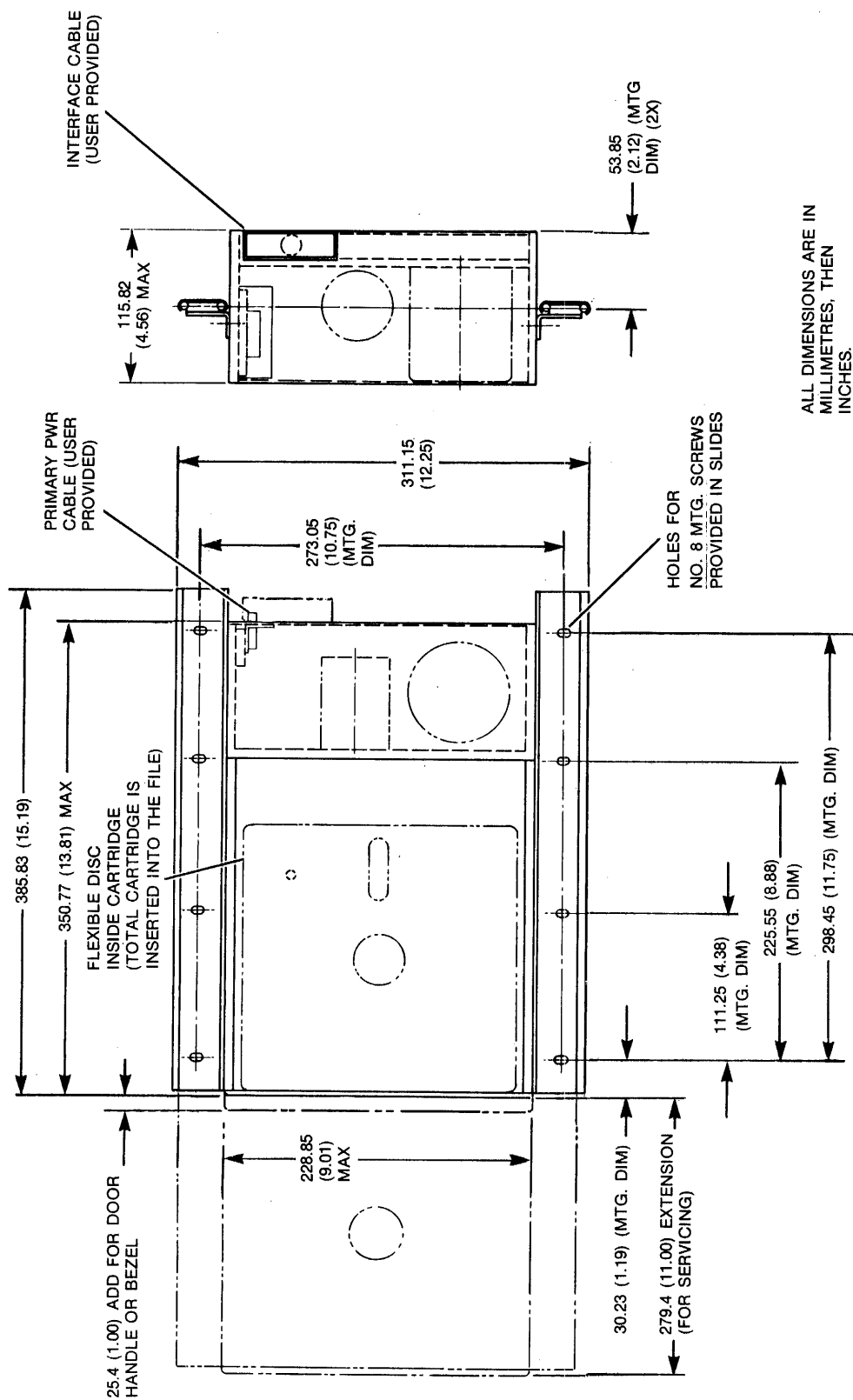


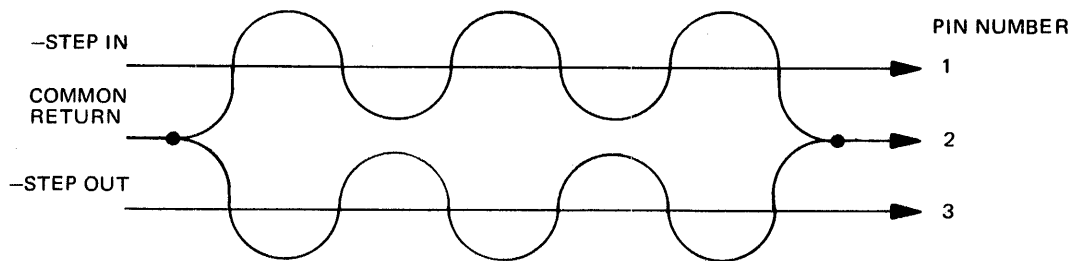
FIGURE 13. FLEXIBLE DISC MOUNTING DIMENSIONS (CHASSIS SLIDES)

BLANK PAGE

INTERFACE DESCRIPTION

GENERAL

The interface requirements can be divided into three categories: Control, Data, and Power. The following paragraphs describe the requirements with relationship to connector, polarity, load level, and pulse width. Figure 14 is the wiring diagram of the 651 with signal names, pin numbers, and connectors. The 651 requires only two cables, power and control-data. The twisted-pair lines are physically four wires and are wired as illustrated below.



CONTROL

The control signals are divided into two types: input and output. The input signals are provided by the host system and output signals are from the 651. The FUNCTIONAL CHARACTERISTICS section previously described these signals. Polarity for logic signals indicates "negative going" for negative and "positive going" for positive pulses.

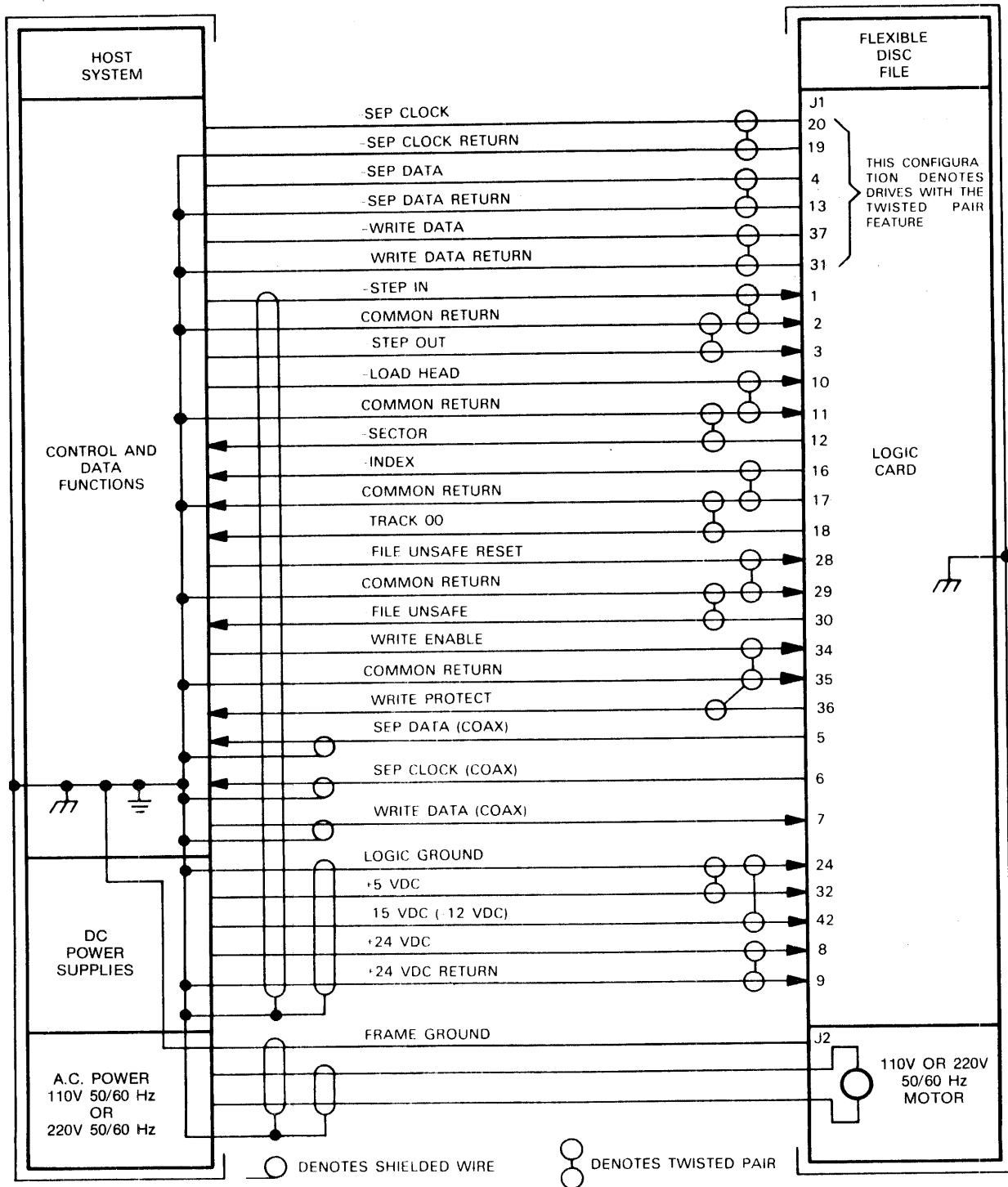


FIGURE 14. 651 INTERFACE WIRING DIAGRAM

Input

Table 5 lists the input signals.

TABLE 5. INPUT CONTROL SIGNALS

INPUT SIGNAL DESIGNATION	CONNECTOR AND PIN	POLARITY	PULSE WIDTH	COMMENTS
-STEP IN	J1-1	Negative	10 μ s to 5 ms	Track Positioning
COMMON RETURN	J1-2	Negative Return		
-STEP OUT	J1-3	Negative	10 μ s to 5 ms	
-LOAD HEAD	J1-10	Negative	Level	Enables head load solenoid
COMMON RETURN	J1-11	Negative Return		
-FILE UNSAFE RESET	J1-28	Negative	Level	Reset for 651 control logic
COMMON RETURN	J1-29	Negative Return		
-WRITE ENABLE	J1-34	Negative	Level	Enabling function for writing data
COMMON RETURN	J1-35	Negative Return		

Output

Table 6 lists the output signals.

TABLE 6. OUTPUT CONTROL SIGNALS

OUTPUT SIGNAL DESIGNATION	CONNECTOR AND PIN	POLARITY	PULSE WIDTH	COMMENTS
-SECTOR	J1-12	Negative	1 ms	Indicates location on disc
COMMON RETURN	J1-11	Negative Return		
-INDEX	J1-16	Negative	1 ms	Indicates location on disc
COMMON RETURN	J1-17	Negative Return		
-TRACK 00	J1-18	Negative	Level	Indicates when head is positioned on Track 00
COMMON RETURN	J1-17	Negative Return		
-FILE UNSAFE	J1-30	Negative	Level	Safety sensing signal indicating file malfunction
COMMON RETURN	J1-29	Negative Return		
-WRITE PROTECT	J1-36	Negative	Level	Indicates a write protect which disallows writing

DATA

The data input and output signals are listed in Table 7.

TABLE 7. DATA SIGNAL INTERFACE

DATA SIGNAL DESIGNATION	CONNECTOR AND PIN	POLARITY	PULSE WIDTH	COMMENTS
-SEP DATA	J1-5	Negative	0.2 μ s	Output data from disc
-SEP CLOCK	J1-6	Negative	0.2 μ s	Output clock from disc
-WRITE DATA	J1-7	Negative	0.2 μ s	Input data and clock signal to file

POWER

The power inputs required are listed in Table 8.

TABLE 8. POWER PARTITIONING

POWER SIGNAL DESIG.	CONN. AND PIN	POLARITY	DRIVE CHARACTERISTIC	PULSE WIDTH	COMMENTS
LOGIC GROUND ⁽⁴⁾	J1-24	Logic ground	Logic ground	Logic ground	DC power supply ground
+5 VDC ⁽³⁾	J1-32	Positive	+5.0±0.2 VDC @0.85 A (nominal) @1.00 A (maximum) 50 mV ripple (maximum p-p)	Power level	Logic Power supply
-15 VDC	J1-42	Negative	-11.0 to -16.0 VDC @0.09 A (nominal) @0.10A (maximum) 100 mV ripple (maximum p-p)	Power level	DC power supply for read/write amplifiers
(-12 VDC) ⁽¹⁾					
+24 VDC ⁽³⁾	J1-8	Positive	+24.0±1.5 VDC @1.3 A (nominal) ⁽²⁾ @1.5 A (maximum) 100 mV ripple (maximum p-p)	Power level	DC power supply for head positioning motor, head load solenoid, and write current
+24 VDC RETURN ⁽⁴⁾	J1-9	DC Power ground	DC power ground	DC power ground	+24 VDC power ground
110/220 VAC 50/60 Hz	J2 Three terminal socket	Line AC	100 to 121 VAC/ 198 to 242 VAC @1.0 A 50/60 Hz±1.0 Hz Single phase	Line AC	Must be provided from a branch circuit protected at no more than 20 amperes
FRAME GROUND	J2 Center Socket	Frame ground	Frame ground	Frame ground	Center socket of 3-wire AC socket

⁽¹⁾ May be used in lieu of -15 volts with no modifications to the file or cables.

⁽²⁾ Drops to "0" very rapidly and returns to a steady current condition within 10 ms after a step operation is performed.

⁽³⁾ Sequencing is recommended between the +24 VDC and the +5 VDC such that +24 VDC comes up only when +5 VDC is > +4.75 V and drops to < +5 V before the +5 VDC is < +4.75 V.

⁽⁴⁾ Logic ground and +24 V Return **must** be physically connected together at the power supply.

INTERFACE CIRCUITRY

Memorex recommends that the host system use the following interface circuitry. These circuits are used for Control and Data input/output functions. Memorex uses transistor-transistor logic (TTL); therefore, logic symbols used in the interface circuitry have TTL characteristics. In all cases:

High = False = Logical "0"
 Low = True = Logical "1"

Control Interface Circuitry

All transmitted signals to the file should originate from open collector drivers capable of current sinking 20 milliamps. Conversely, the user's receiver should be a current source of 10 milliamps. Figure 15 shows the recommended circuits for the line driver and line receiver. Line receiver is a circuit which receives signals from the 651 and a line driver transmits signals to the 651. The line receiver should detect a true signal no higher than +1.5 volts, and a false signal no lower than +2.5 volts.

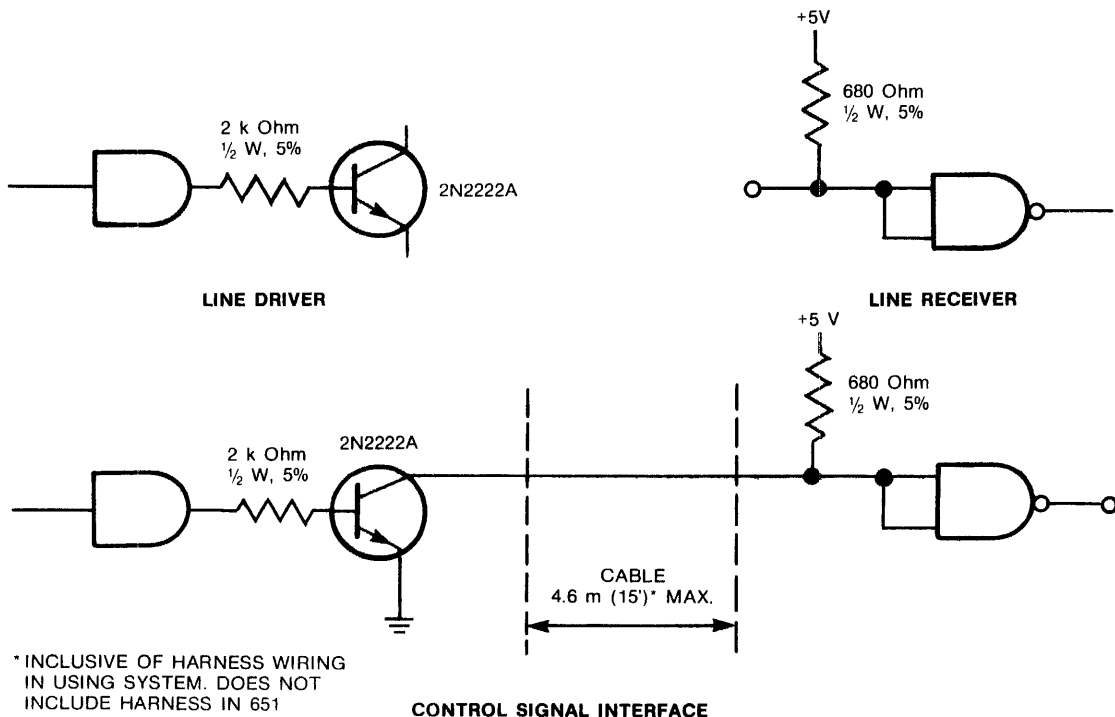
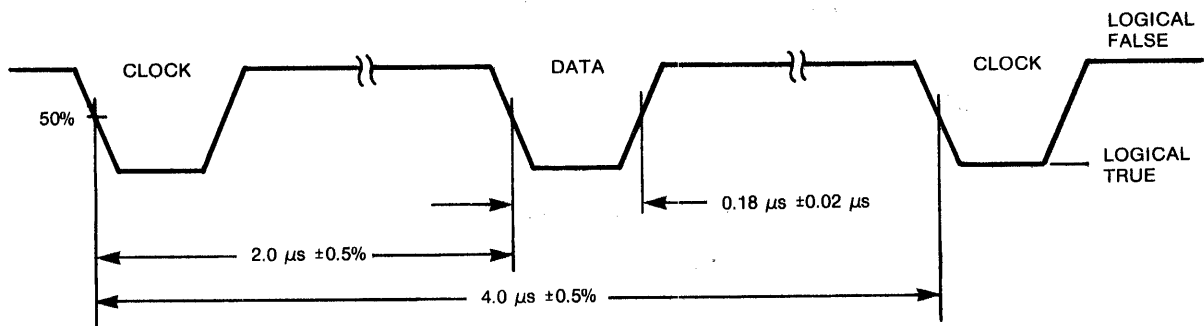


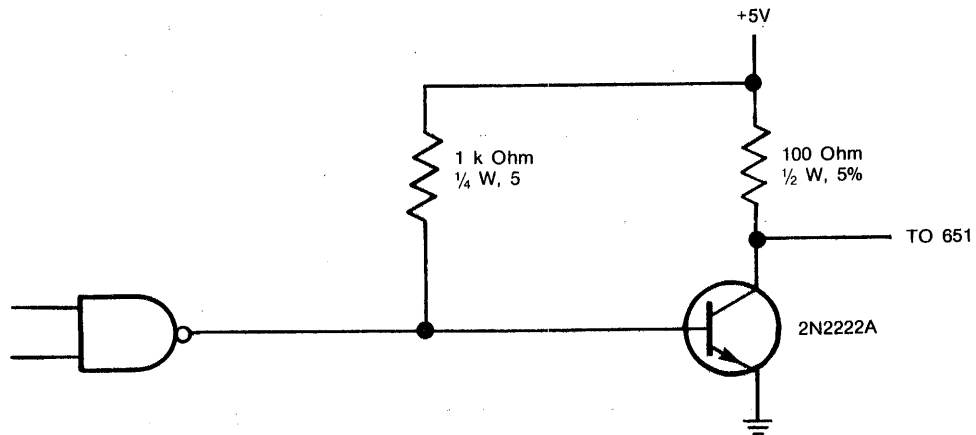
FIGURE 15. CONTROL LINE DRIVER AND LINE RECEIVER

Data Interface Circuitry

The recommended WRITE DATA signal and circuit are shown in Figure 16. The composite signal was described earlier in the FUNCTIONAL CHARACTERISTICS section.



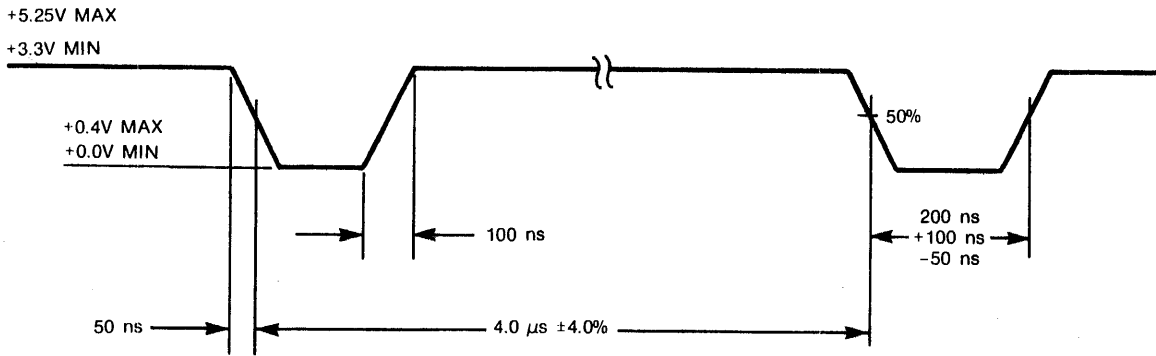
SIGNAL TIMING



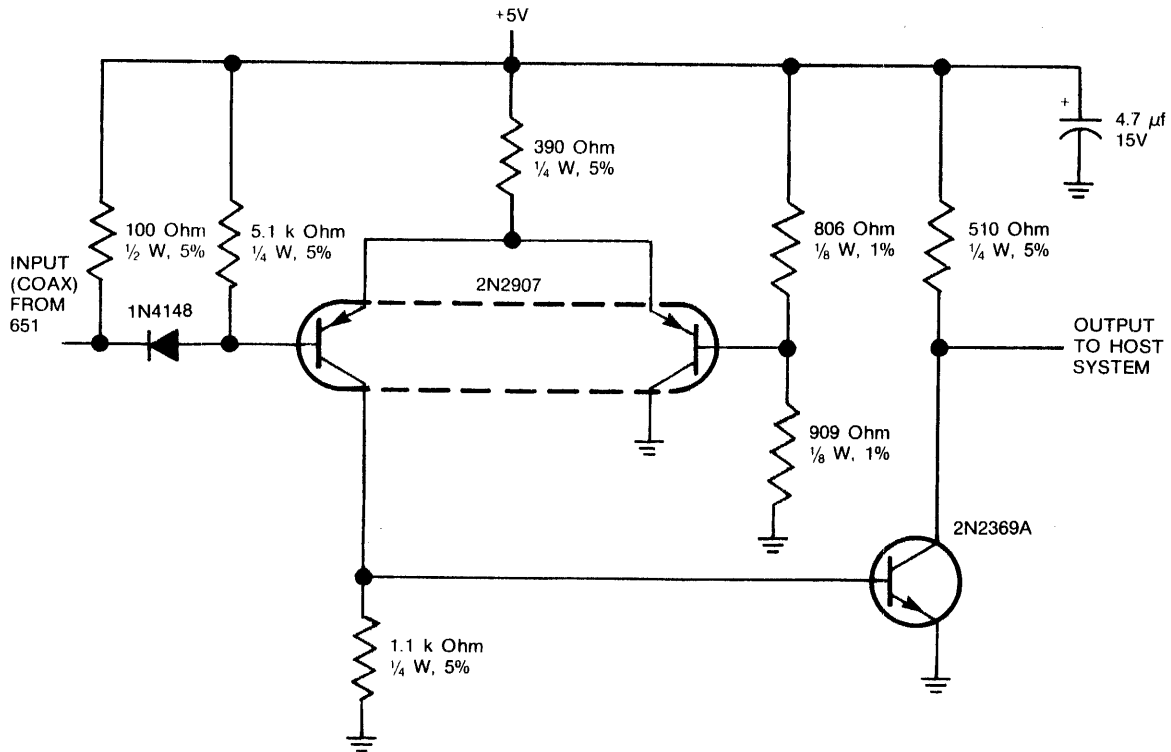
WRITE DATA DRIVER

FIGURE 16. WRITE DATA SIGNAL AND DRIVER

The recommended SEP DATA and SEP CLOCK signals and circuits are shown in Figure 17. All time measurements are made at the output of the read channel PCB of the 651. Maximum sink current during true time is 55 milliamps. The source current is zero.



SEP DATA AND SEP CLOCK SIGNALS



SEP DATA AND SEP CLOCK RECEIVERS

FIGURE 17. SEPARATED (SEP) DATA AND CLOCK SIGNALS AND RECEIVERS

OPERATING PROCEDURES

Operation of the 651 is fully automated requiring no operator intervention during normal operation. The disc cartridge should be handled carefully when being inserted or removed from the 651. The following paragraphs give procedures necessary for insertion of the disc cartridge into the 651 and for cartridge handling. Also included are some suggested software procedures for handling error conditions which might occur during writing or reading operations.

CARTRIDGE LOADING AND HANDLING

The cartridge consists of the flexible disc encased in a protective jacket. Wipe cushions are bonded to the inside of the jacket. The disc is housed and rotates between these cushions during normal operation. Figure 18 shows how the cartridge is inserted in the cartridge guide. This is accomplished by merely opening the door, inserting the cartridge completely into the cartridge guide, and closing the door. The cartridge should be loaded or unloaded with all power on and the drive motor rotating.

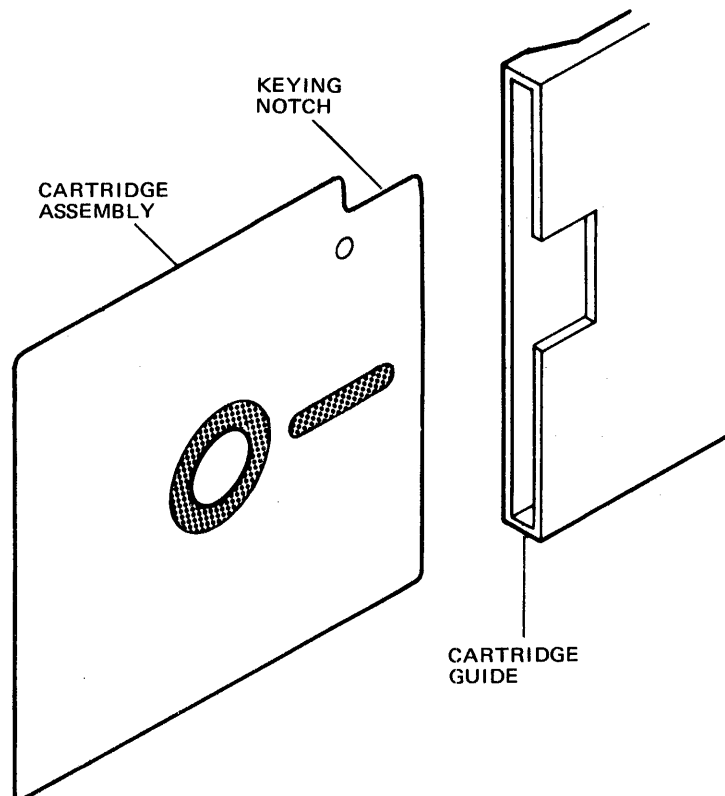


FIGURE 18. CARTRIDGE LOADING

When removed from the 651, the cartridge should be stored in a storage envelope. To protect the cartridge, the same care and handling procedures specified for computer magnetic tape apply. These precautionary procedures are as follows:

1. Return the cartridge to its storage envelope whenever it is removed from file.
2. Store cartridges vertically.
3. Keep cartridges away from magnetic fields and from ferromagnetic materials which might become magnetized. Strong magnetic fields can distort recorded data on the disc.
4. Replace storage envelopes when they become worn, cracked, or distorted. Envelopes are designed to protect the disc.
5. Do not write on the flexible disc jacket with a lead pencil or ball-point pen. If it is necessary to identify the cartridge, use a felt tip pen to mark on the jacket or apply a pre-written stick-on label to one corner of the jacket.
6. Do not smoke while handling cartridges. Heat and contamination from a carelessly dropped ash can damage the disc.
7. Do not expose cartridges to heat or sunlight. The read/write head on the 651 cannot properly track a warped disc.
8. Do not touch or attempt to clean the disc surface. Abrasions may cause loss of stored data.

ERROR DETECTION AND CORRECTION

Write Error

If an error occurs during a write operation, it will be detected on the next revolution by doing a read operation, commonly called a "write check". To correct the error, another write and write check operation must be done. If the write operation is not successful after 10 attempts have been made, error correction should be attempted on another track. If the error still persists, the disc should be considered defective and discarded.

Read Error

Most errors that occur will be "soft" errors; that is, by performing an error recovery procedure the data will be recovered.

Soft errors are usually caused by:

1. Airborne contaminants that pass between the read/write head and the disc. These contaminants will generally be removed by the cartridge self-cleaning wiper.

2. Random electrical noise which usually lasts for a few μsec .
3. Small defects in the written data and/or track not detected during the write operation which may cause a soft error during a read.

The following procedures are recommended to recover from the above mentioned soft errors:

1. Reread the track 10 times or until such time as the data is recovered.
2. If data is not recovered after using step 1, access the head to the adjacent track in the same direction previously moved, then return to the desired track (i.e., if previously at track 20, then moved to track 30 where a read error occurs, move to track 31, return to track 30, and re-read).
3. Repeat Step 1.
4. If the data cannot be recovered by this method, from a practical standpoint, the error becomes a 'hard' error and non-recoverable.

COMMENTS FORM

651 FLEXIBLE DISC FILE OEM MANUAL—651.60-05

Please send us your comments; they will help us produce better publications. Whenever possible, please use specific page and paragraph references.

- | ● Is the material: | Yes | No |
|---|--------------------------|--------------------------|
| Easy to understand? | <input type="checkbox"/> | <input type="checkbox"/> |
| Conveniently organized? | <input type="checkbox"/> | <input type="checkbox"/> |
| Complete? | <input type="checkbox"/> | <input type="checkbox"/> |
| Well illustrated? | <input type="checkbox"/> | <input type="checkbox"/> |
| Accurate? | <input type="checkbox"/> | <input type="checkbox"/> |
| Suitable for its intended audience? | <input type="checkbox"/> | <input type="checkbox"/> |

- For what purpose did you use this publication (reference, general interest, etc.)?

- Please state your department's function:

Please use the space below for specific comments which you feel would improve any aspect of this publication. All comments become the property of Memorex Corporation.

MEMOREX

First Class
Permit No. 919
Santa Clara
California
95050

Business Reply Mail

No Postage Necessary if Mailed in the United States

Postage Will Be Paid By

Memorex Corporation

**Publications Department
Mail Stop 14-07
San Tomas at Central Expressway
Santa Clara, California 95052**

